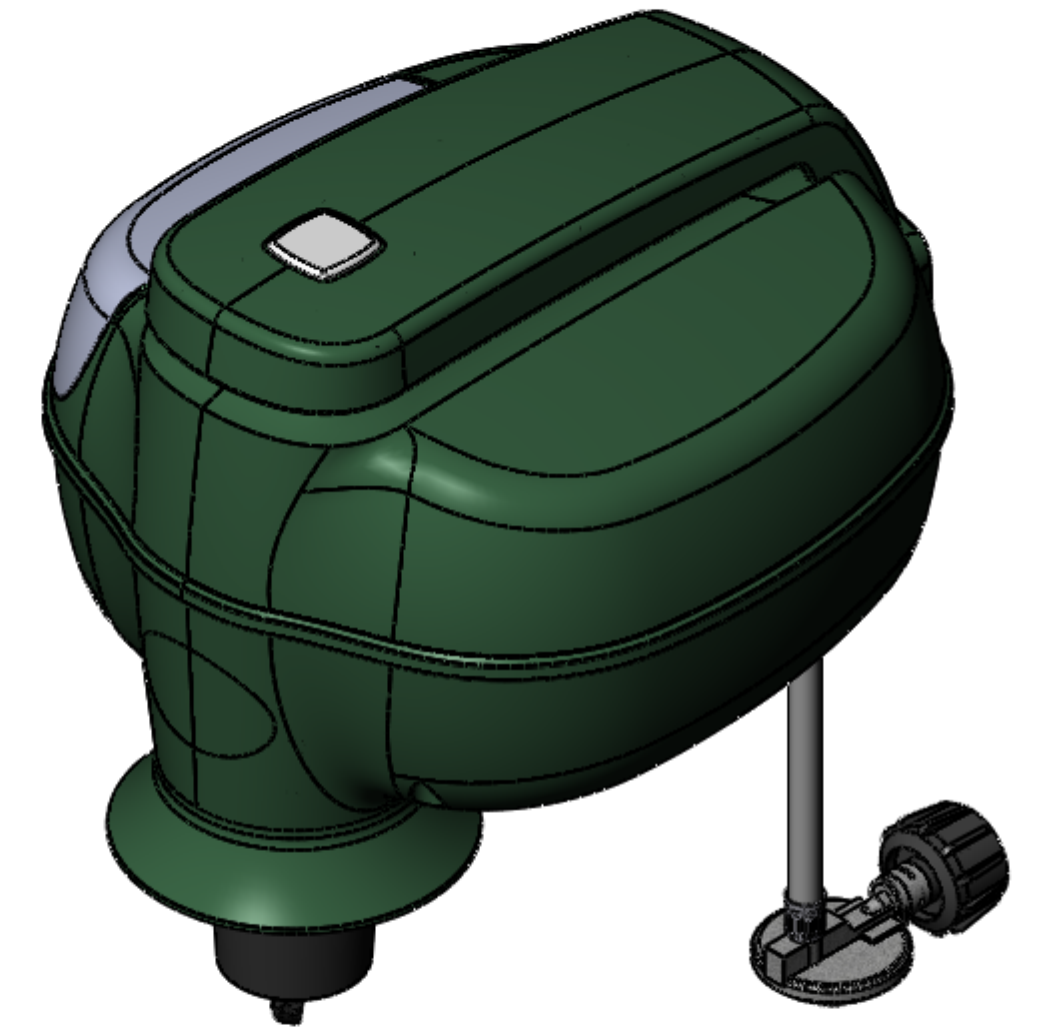
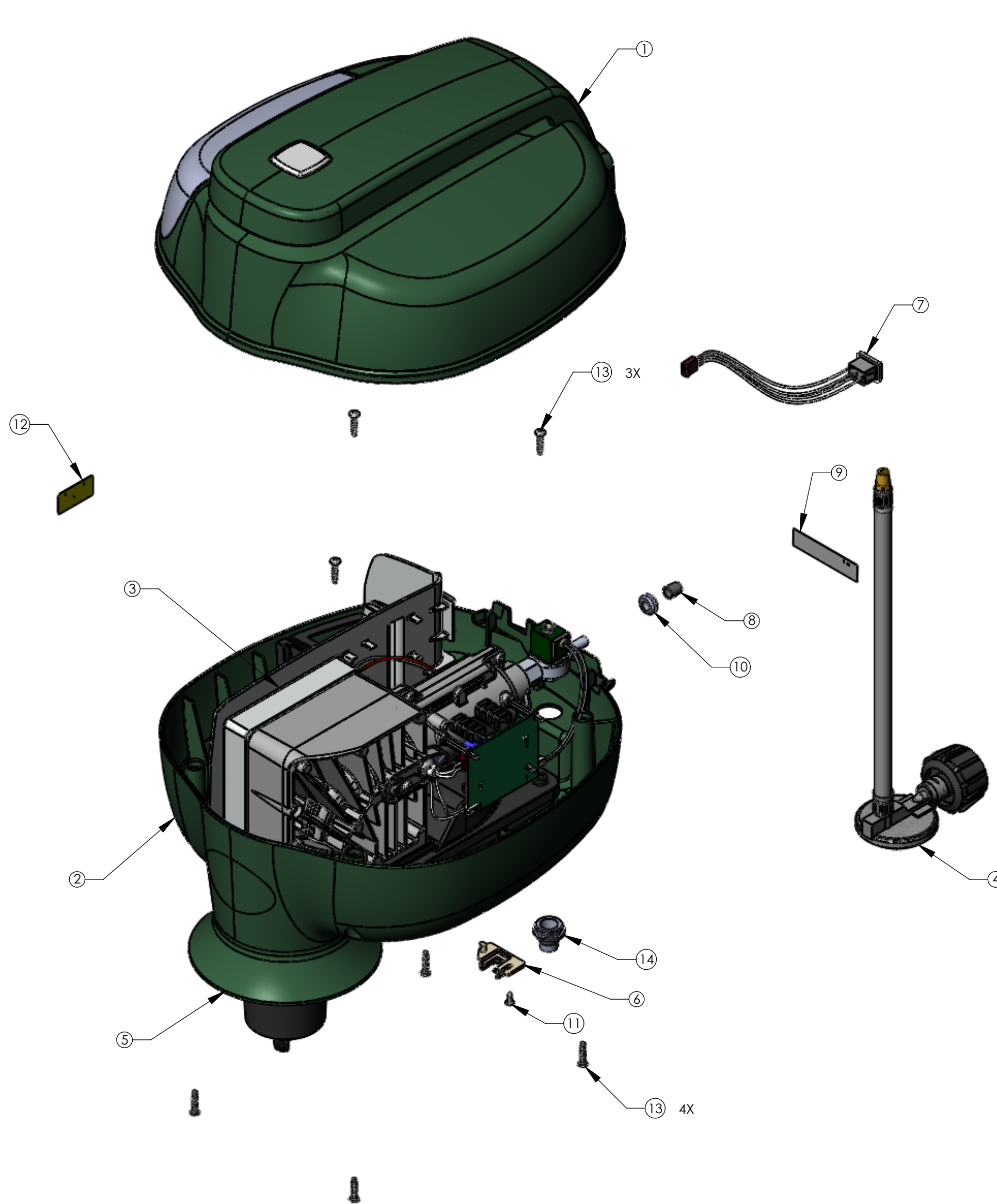


REV.	DESCRIPTION	REV BY	DATE	CHANGE NO.	APPVD
A	PRODUCTION RELEASE	RWB	9/17/2015		



ITEM NO.	QTY	PART NUMBER	DESCRIPTION
1	1	490-099	TOP HOUSING ASSEMBLY, MM4200
2	1	689-038	BOTTOM HOUSING
3	1	490162	FAN-HEAT SINK ASSY
4	1	490610	GAS REGULATOR ASSEMBLY
5	1	690-061	INTAKE STACK
6	1	690064	HOUSING, CONNECTOR
7	1	131-002	ROCKER SWITCH, 4/6000MM
8	1	466-007	AIR VALVE CAP
9	1	432-085	LABEL, SERIAL NO.
10	1	689-101	GROMMET, SCHRADER VALVE
11	1	422-019	SCREW, 6-18 X 3/8 TYPE A PHILLIPS PAN TAPPING SCREW
12	1	432-019	LABEL, INSPECTED BY
13	7	422-094	SCREW, #8-16 X 3/4" PLASTITE TORX (T20) - SST (SHROUD TO TOP HOUSING)
14	1	689-103	GROMMET, PROPANE HOSE

NOTES:

MATERIAL:		woodstream LITITZ, PA. USA		
FINISH:		<small>PROPRIETARY AND CONFIDENTIAL</small> <small>THE INFORMATION CONTAINED IN THIS DRAWING IS THE SOLE PROPERTY OF WOODSTREAM CORP. ANY REPRODUCTION IN PART OR AS A WHOLE WITHOUT THE WRITTEN PERMISSION OF WOODSTREAM CORP IS PROHIBITED.</small>		
<small>UNLESS OTHERWISE NOTED:</small> <small>DIMENS ARE IN mm.</small> <small>DIMENS IN [] ARE IN INCHES.</small> <small>TOLERANCE ON DIMENSIONS</small> <small>mm's .XX = ±.03</small> <small>.XX = ±.25 .XXX = ±.010</small> <small>ANGLE = ±1°</small>	<small>DRAWN</small> Jeff Holliday	<small>DATE</small> 10/2/2015	POWER PACK MM4200 4200PP <small>Sheet 1 of 1</small>	
	<small>CHECKED</small> 	<small>DATE</small> 		<small>SCALE:</small> 1:5 <small>SIZE</small> C
	<small>APPROVED</small> 	<small>DATE</small> 		<small>REV</small> A